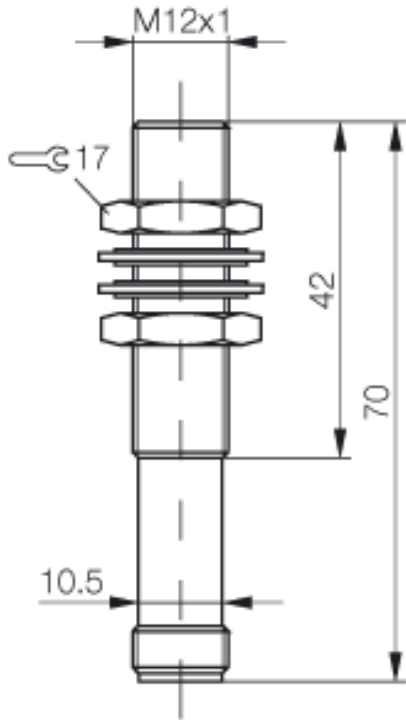


Photoelectric Sensor
BOS 12M-XT-LS11-S4
Sn=3000mm
through-beam, transmitter



V1203

Common Data

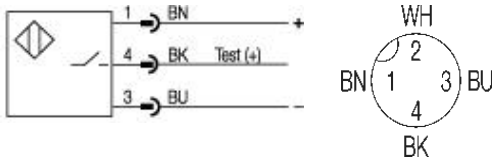
Series	12M
Sensortype	through-beam, transmitter
Rated operating distance Sn in mm	3000
Ambient temperature	-10...+50°C
Light	Laser, red
Wavelength / Laser protection class	650...660nm, Protection class 1
Permissible ambient light	5000

Mechanical Data

Measurements	M12x70
Shock	Halfsinus, 30gn, 11ms
Vibration	55Hz, 1mm Amplitude 3x30M
Housing material	nickel plated brass
Material of sensing face	Glass
Degree of protection	IP67
Connection	Connector S4 (M12)
Weight	30g
Recommended connector	BKS-S20

Electrical Data

Current	DC
Supply Voltage	10...30V DC
Ripple	< 10% from UB
Frequency of Supply Voltage	DC
No-load supply current	≤ 10mA
Protected against polarity reversal	yes
Rated insulation voltage	75VDC



Utilization categories
 Insulation class

DC 13

Datasheet number:

Definitions see general catalog.
 If not otherwise noted, ratings according to
 IEC 60947-5-2 (DIN EN60947-5-2)

Balluff GmbH
 Schurwaldstrasse 9
 73765 Neuhausen a.d.F.
 Phone (07158) 173-0 Fax (07158) 5010

Datenblatt by CD-ROM - 04/2007

